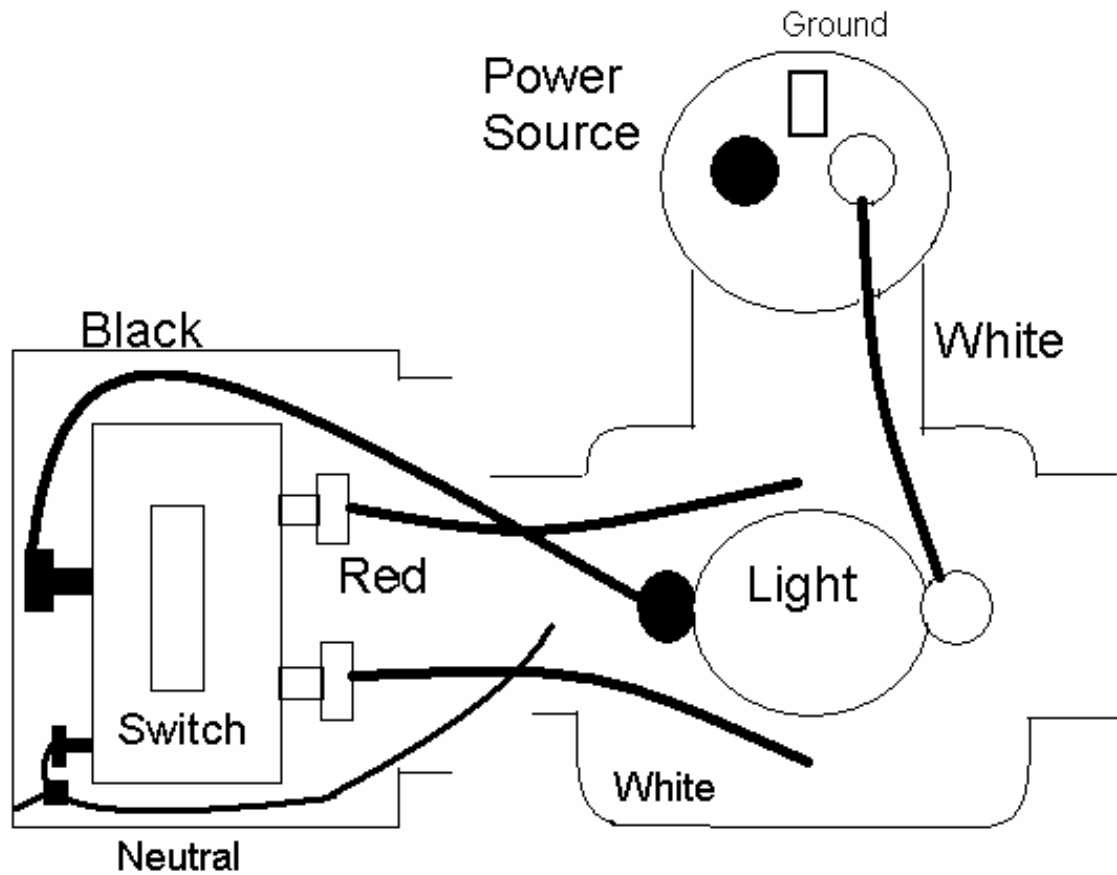


Select the appropriate device from the three provided. Then finish drawing and labeling the diagram for a light controlled from two locations.



Key  
 ■ Wire Nut

